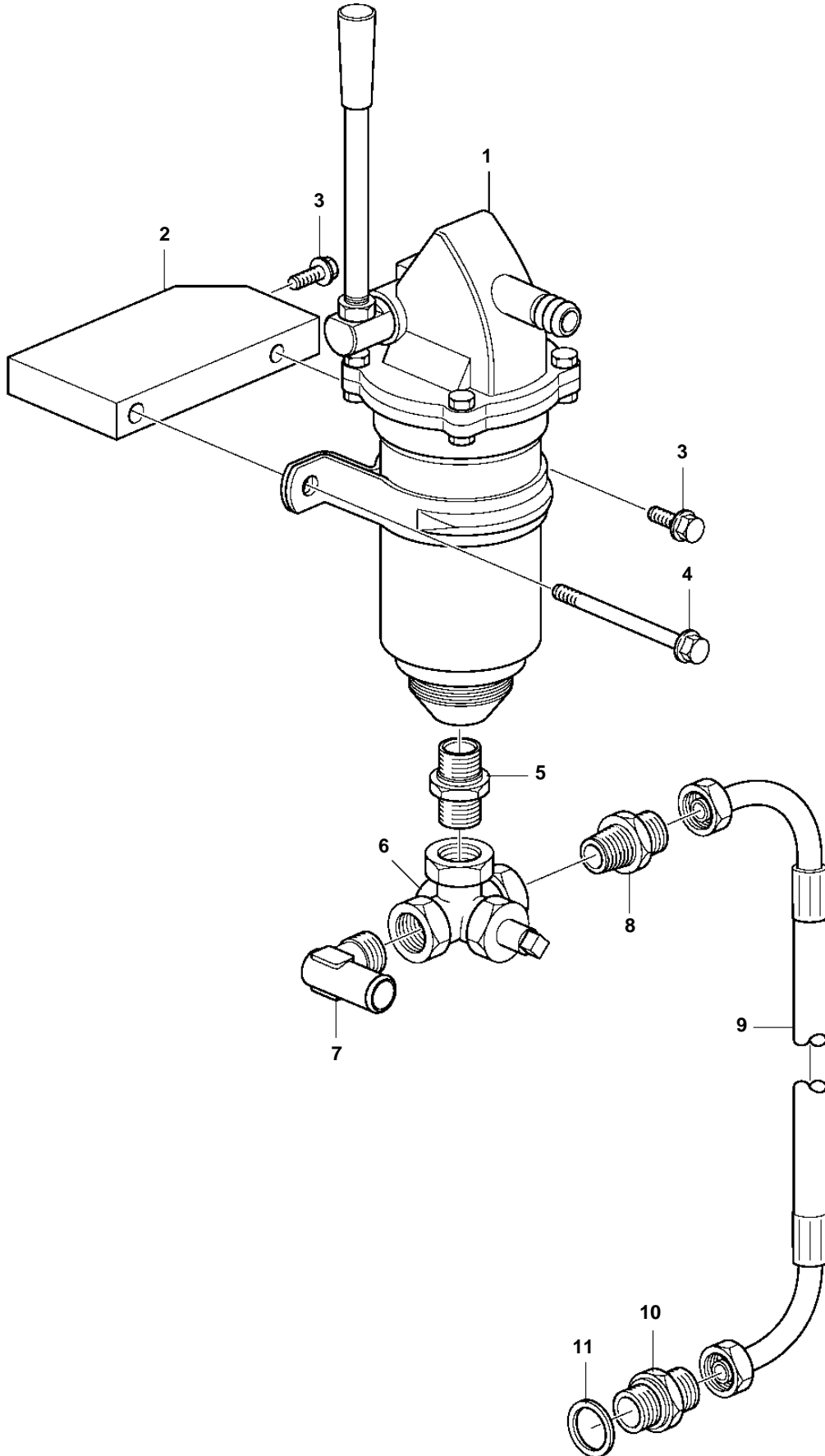


D16C-A MH, D16C-A MG



23276

D16C-A MH, D16C-A MG

REF	PART NO.	QTY	DESCRIPTION
1	3841115	1	Oil bilge pump
2	3588976	1	Bracket
3	946173	3	Flange screw
4	965183	1	Flange screw
5	16452	1	Nipple
6	866572	1	Tap
7	467716	1	Elbow nipple
8	968187	1	Nipple
9	3886248	1	Oil hose
10	963954	1	Nipple
11	976933	1	Gasket